



BC2112 Tag

Our compact, powerful Ultra-Wideband (UWB) BC2112 Tag provides the highest asset location accuracy (within less than one meter) for our Indoor UWB Grid tracking solution.

Made with rugged material designed to withstand impact in harsh environments and over three years of battery life, the BC2112 offers an unprecedented combination of durability and performance.



Benefits



BATTERY LIFE

- Replaceable coin cell
- 3 years at 1 Tx per second



ULTRA-WIDEBAND

- Centimeter-level accuracy
- 7.2 Ghz centre frequency



TOUGH

- Temp range -20°C to +60°C
- Rugged IP67 Waterproof and Dustproof



FLEXIBLE MOUNTING

Cable ties, Double-sided tape, Screws



BRANDING OPTIONS

Tags can be printed with custom labels or numbering



COMPACT FORMAT

Lightweight design

For What

- Vehicles
- Tools
- Equipment
- Machinery
- Materials
- Assets

For Who

- Construction
- Oil, Gas, and Mining
- Health Care
- Education
- Manufacturing
- Warehousing

Works Great With

- Hardware - Indoor UWB Grid solution
- Software - BlueCats Loop Cloud



Specifications

GENERAL

Form factor Horizontal cube tag

MECHANICAL

Dimensions 45 mm (H) × 35 mm (W) × 15 mm (D)

Weight 25 g

Mounting Types Straps, Cable ties, Double-sided tape, Glue, Epoxy, Lanyard

Enclosure Material Polycarbonate/ABS plastic alloy

POWER

Battery Size CR2032 3 V Lithium coin cell, replaceable

Battery Capacity 225 mAh

Battery life 3 years at 1 TX per second

ENVIRONMENTAL

Operating Temperature -20°C to +55°C

Ingress Protection n/a

UWB

Chipset Proprietary

Frequency 6.7 GHz to 7.7 GHz

Antenna Integrated monopole antenna

Transmit Power - 48.4 dBm

Blink Rates 1 Hz to 30 Hz

Protocols TDOA

CERTIFICATIONS

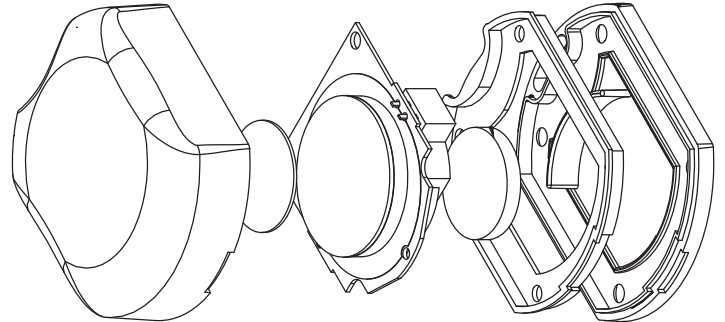
FCC Yes

IC No

CE Yes

RCM No

Dimension Drawings



VARIANTS

BC2112.11.W.01	1 Hz, white color
BC2112.11.W.04	4 Hz, white color
BC2112.11.W.08	8 Hz, white color
BC2112.11.W.10	10 Hz, white color
BC2112.11.W.15	15 Hz, white color
BC2112.11.W.30	30 Hz, white color